

---

## PrevaLED Linear 20 mm LED modules

### – Accessories



---

#### Product family features

- Transmission > 82%
- Material: polycarbonate (PC)

---

#### Product family benefits

- Homogeneous glare free light distribution
- Fast snap on mounting using mounting screws
- Available with length: 560 mm, 600 mm, 1,150 mm, 1,450 mm
- Prevents touching of lightsource

---

#### Areas of application

- Optical light impression as fluorescent tube

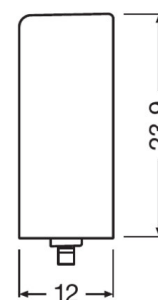
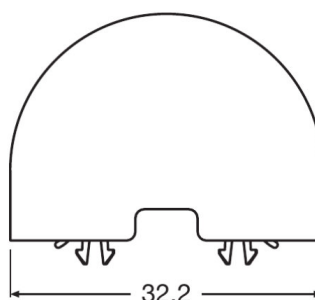
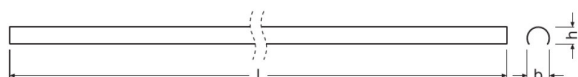
## Product family datasheet

### Technical data

#### Dimensions & weight

Product description	Product weight	Length	Width	Height
PL-LIN DIFFUSER 560X28	53.00 g	560.0 mm	28.5 mm	22.0 mm
PL-LIN DIFFUSER 600X28	57.00 g	600.0 mm	28.5 mm	22.0 mm
PL-LIN DIFFUSER 1150X28	110.00 g	1150 mm	28.5 mm	22.0 mm
PL-LIN DIFFUSER 1450X28	138.00 g	1450 mm	28.5 mm	22.0 mm
PL-LIN ENDCAP FOR DIFFUSER 28	4.00 g	32.0 mm	12.0 mm	24 mm

#### Product line drawing



PL-LIN DIFFUSER 560X28, PL-LIN DIFFUSER 600X28, PL-LIN DIFFUSER 1150X28, PL-LIN DIFFUSER 1450X28

PL-LIN ENDCAP FOR DIFFUSER 28

#### Logistical data

Product description	Commodity code
PL-LIN DIFFUSER 560X28	940592009000
PL-LIN DIFFUSER 600X28	940592009000
PL-LIN DIFFUSER 1150X28	940592009000
PL-LIN DIFFUSER 1450X28	940592009000
PL-LIN ENDCAP FOR DIFFUSER 28	392690979000

## Product family datasheet

### Environmental information Information according Art. 33 of EU Regulation (EC) 1907/2006 (REACH)

Product description	Date of Declaration	Primary Article Identifier	Declaration No. in SCIP database
PL-LIN DIFFUSER 560X28	19-01-2022	4052899466692	In work
PL-LIN DIFFUSER 600X28	19-01-2022	4052899466739	In work
PL-LIN DIFFUSER 1150X28	19-01-2022	4052899466753	In work
PL-LIN DIFFUSER 1450X28	19-01-2022	4052899466777	In work
PL-LIN ENDCAP FOR DIFFUSER 28	19-01-2022	4052899466791	In work

### Application advice

For more detailed application information and graphics please see product datasheet.

### Sales and Technical Support

Sales and Technical Support [www.osram.com](http://www.osram.com)

### Logistical Data

Product code	Product description	Packaging unit (Pieces/Unit)	Dimensions (length x width x height)	Volume	Gross weight
4052899466692	PL-LIN DIFFUSER 560X28	Shipping carton box 100	595 mm x 250 mm x 170 mm	25.29 dm <sup>3</sup>	5700.00 g
4052899466739	PL-LIN DIFFUSER 600X28	Shipping carton box 100	635 mm x 250 mm x 170 mm	26.99 dm <sup>3</sup>	6165.00 g
4052899466753	PL-LIN DIFFUSER 1150X28	Shipping carton box 50	1185 mm x 160 mm x 150 mm	28.44 dm <sup>3</sup>	6008.00 g
4052899466777	PL-LIN DIFFUSER 1450X28	Shipping carton box 50	1485 mm x 160 mm x 150 mm	35.64 dm <sup>3</sup>	7530.00 g
4052899466791	PL-LIN ENDCAP FOR DIFFUSER 28	Shipping carton box 100	190 mm x 108 mm x 146 mm	3.00 dm <sup>3</sup>	490.00 g

The mentioned product code describes the smallest quantity unit which can be ordered. One shipping unit can contain one or more single products. When placing an order, for the quantity please enter single or multiples of a shipping unit.

### Disclaimer

Subject to change without notice. Errors and omission excepted. Always make sure to use the most recent release.